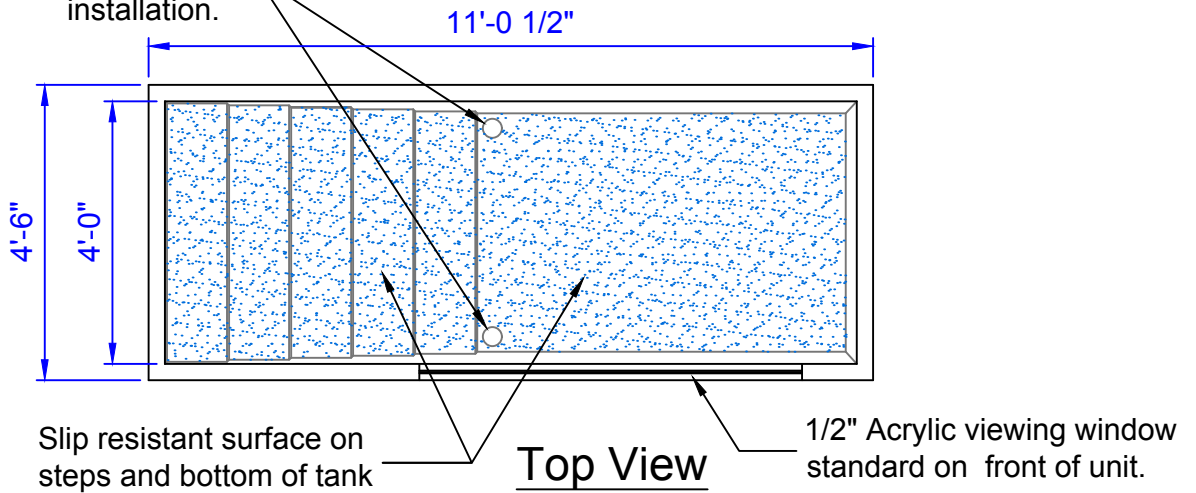


Two recessed drain locations molded into baptistery for versatile but simple installation.



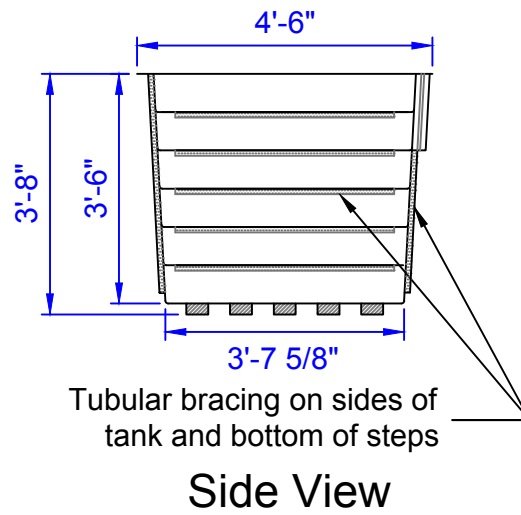
Baptistery Data

- Overall Width = 4'-6"
- Overall Length = 11'-0 1/2"
- Overall Height = 3'-8"
- Overall Depth = 3'-6"
- Unit Weight = 325 lbs.
- Water Capacity = 775 Gallons
- Recommended Heater:
PBH 11000 Heater System
- Optional Heater:
PBH 5500 Heater System

Available Colors

- Blue
- White
- Aqua
- Beige

Note: Color samples available at customers request



33 Lewittes Rd.
Taylorsville, NC 28681
Phone: 828-632-8883
Fax: 828-632-5585
www.piedmontcomposites.com

BAPTISTERY

Model : **3-LE-WINDOW**

Scale:
SCALE
Drawn by:
TJD/JEM
Created On
8/16/02
Updated On
03/27/19