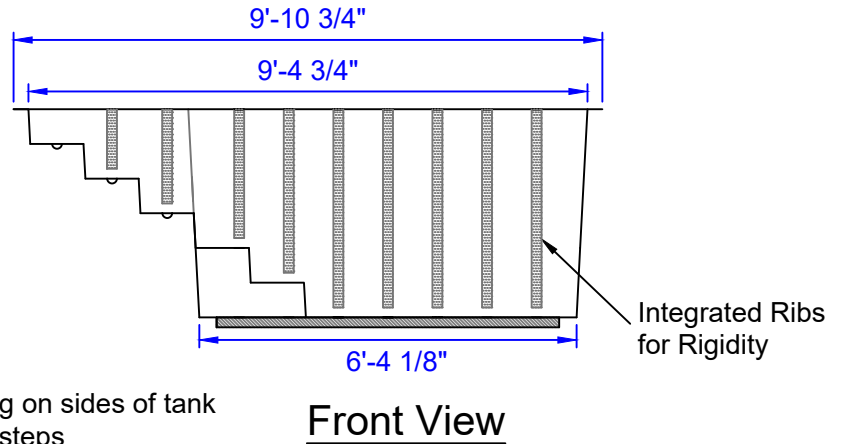
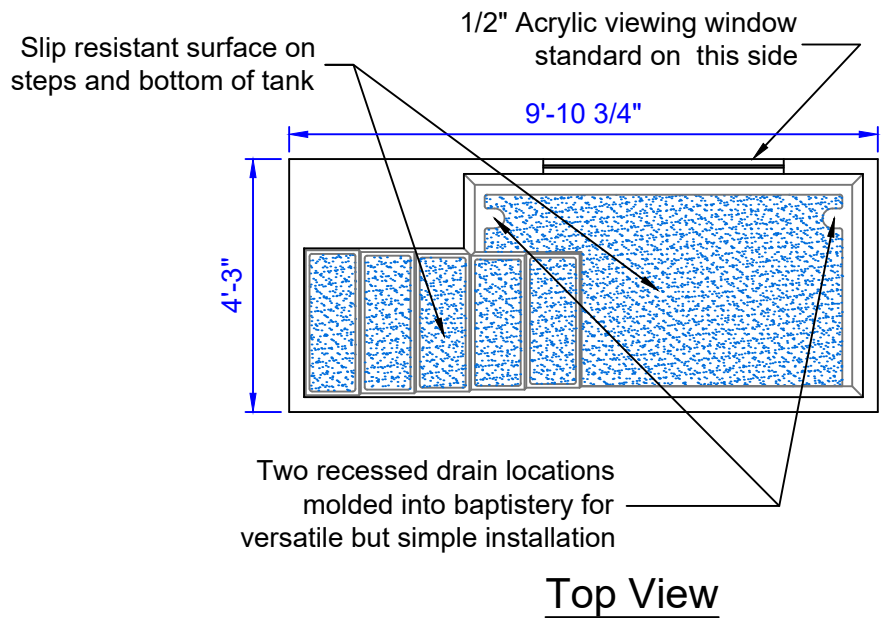


Tubular bracing on sides of tank and bottom of steps



Baptistery Data
 Overall Width = 4'-3"
 Overall Length = 9'-10 3/4"
 Overall Height = 3'-8"
 Overall Depth = 3'-6"
 Unit Weight = 325 lbs.
 Water Capacity = 525 Gallons
 Recommended Heater:
 PBH 11000 Heater System
 Optional Heater:
 PBH 5500 Heater System
Available Colors
 Blue
 White
 Aqua
 Beige

Note: Color samples available at customers request



33 Lewittes Rd.
 Taylorsville, NC 28681
 Phone: 828-632-8883
 Fax: 828-632-5585
 www.Piedmontcomposites.com

BAPTISTERY
 Model :
6-LE-W-OPPOSITE

Scale:
SCALE
 Drawn by:
TJD/JEM
 Created On
8/16/02
 Updated On
03/27/19